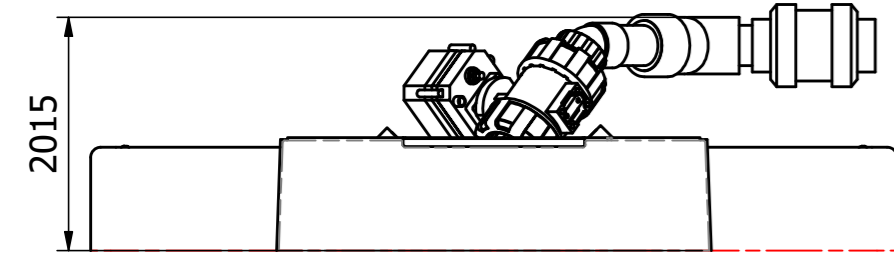
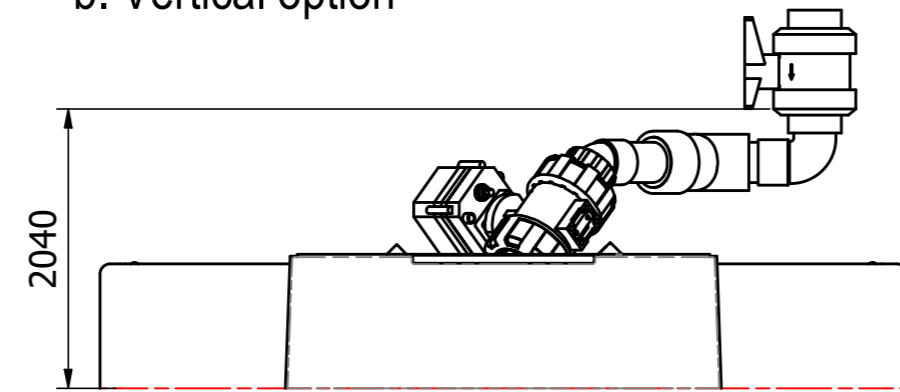


PVC ball valve - Position options

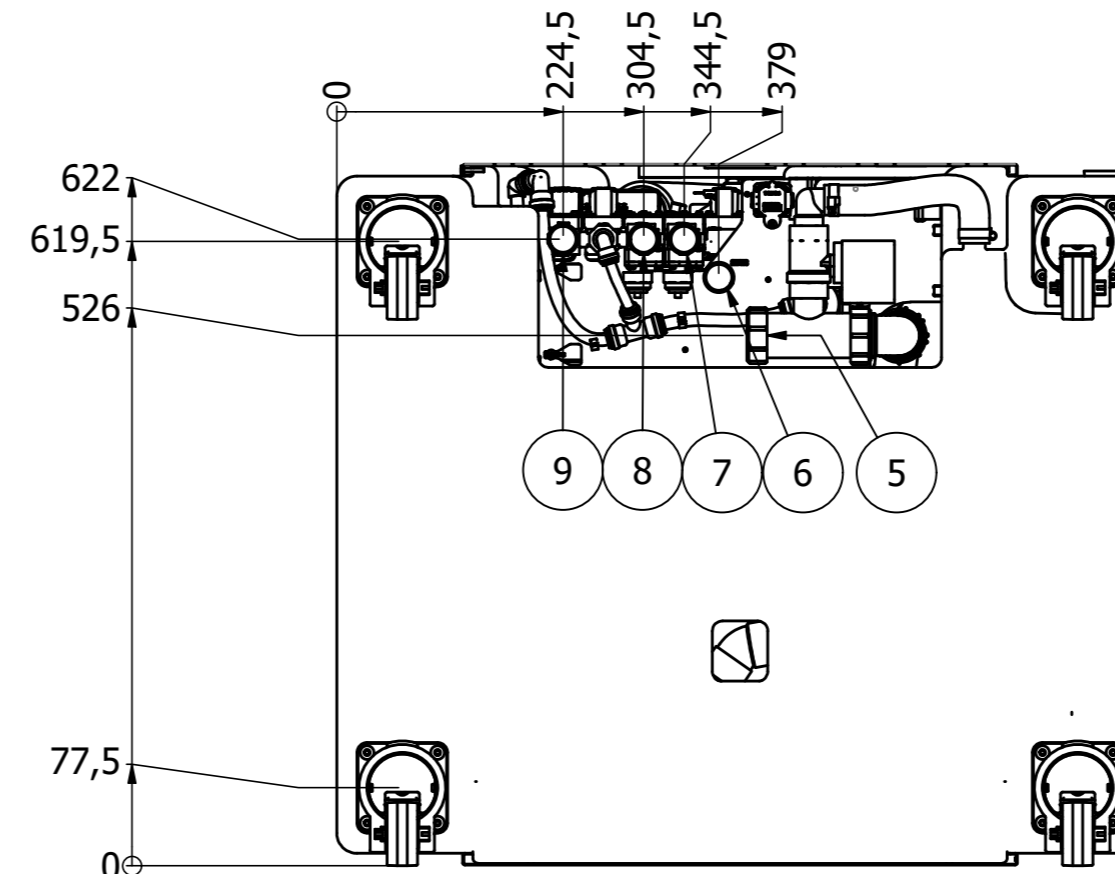
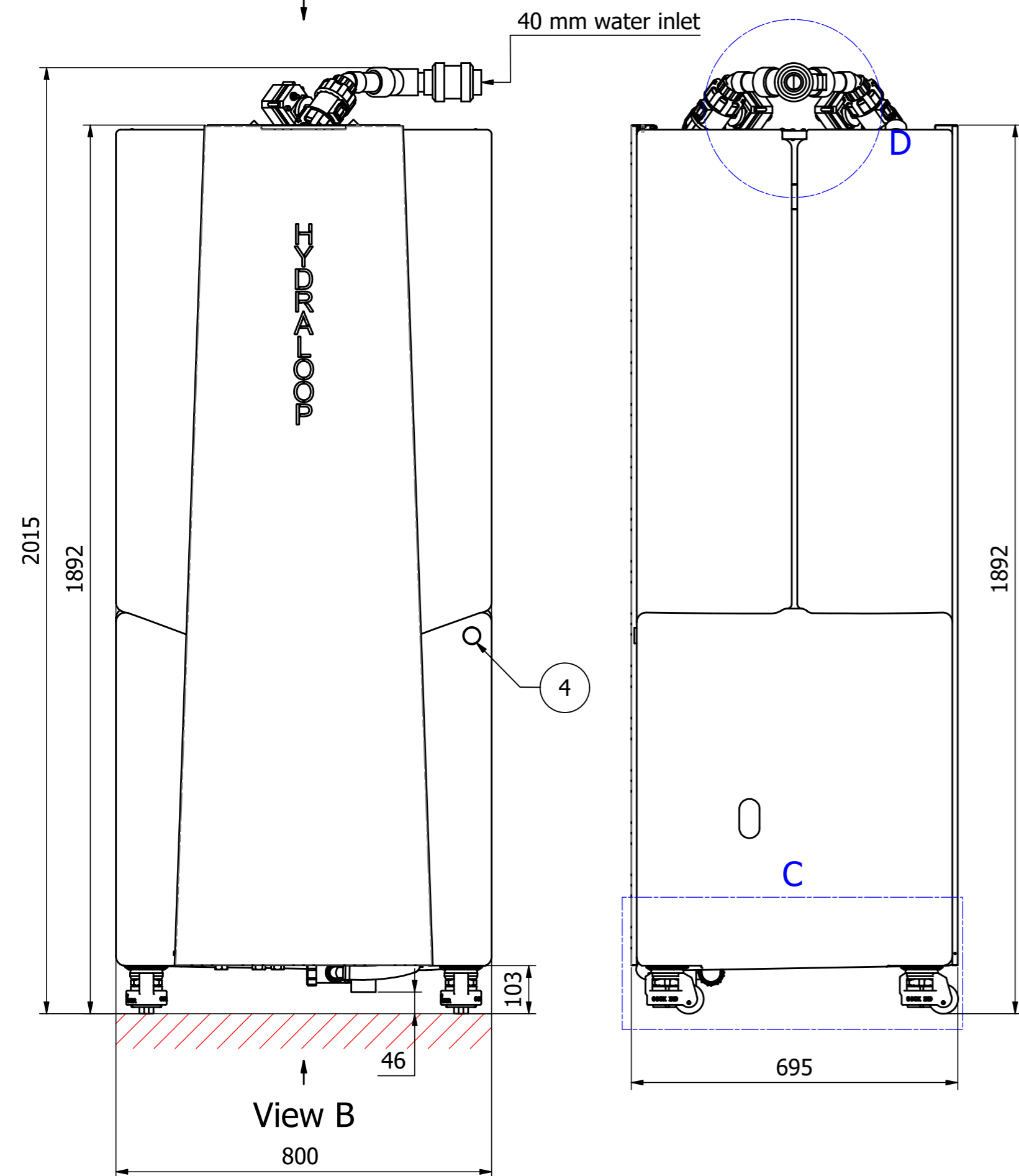
a. Horizontal option



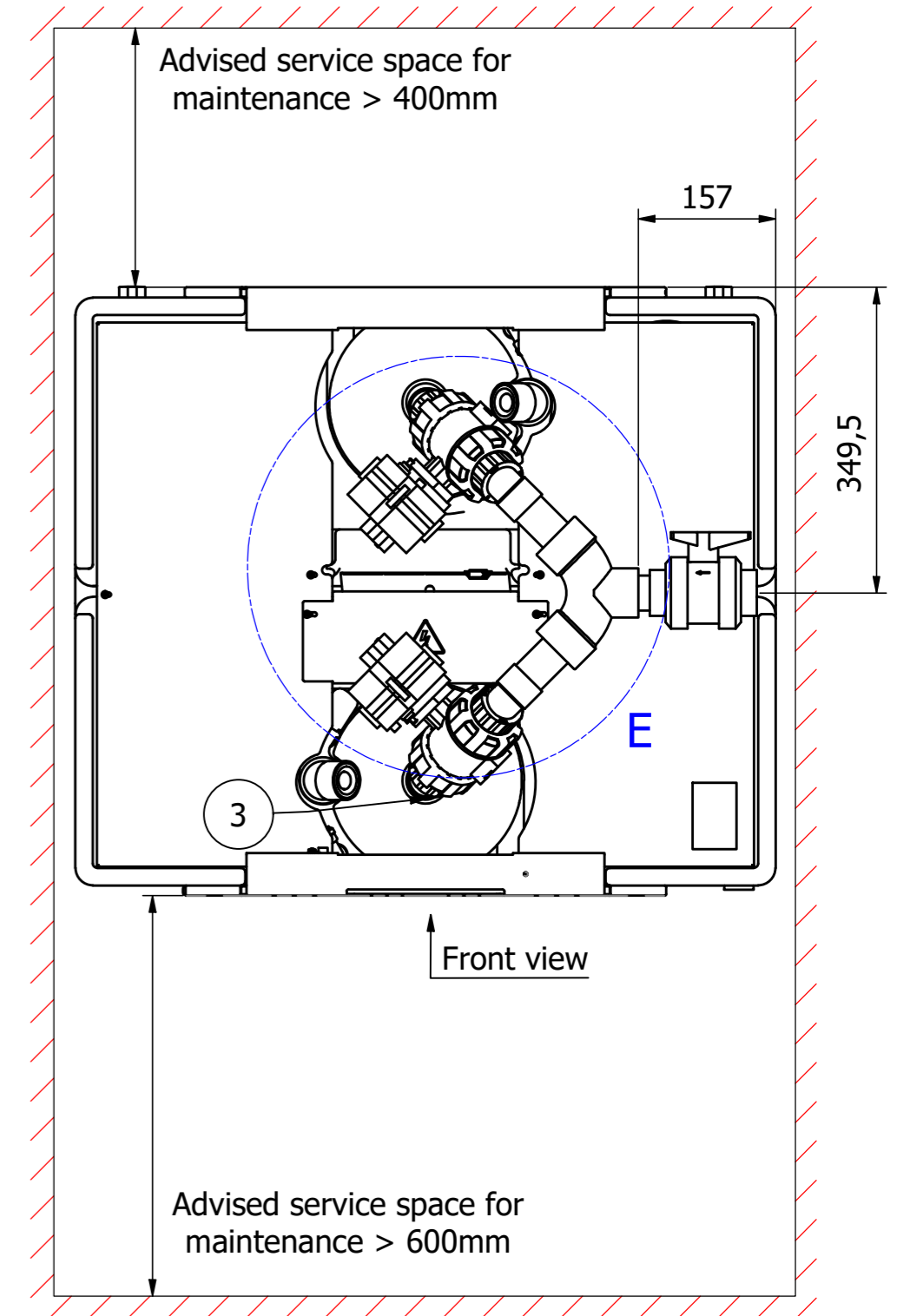
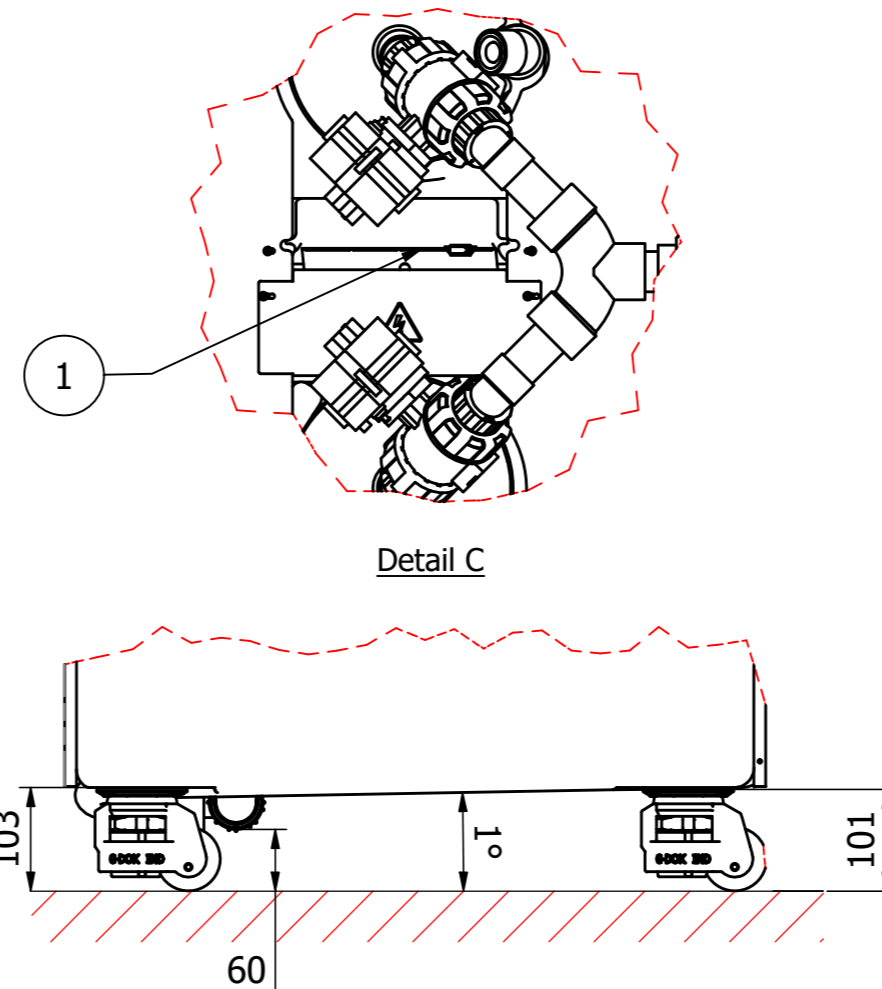
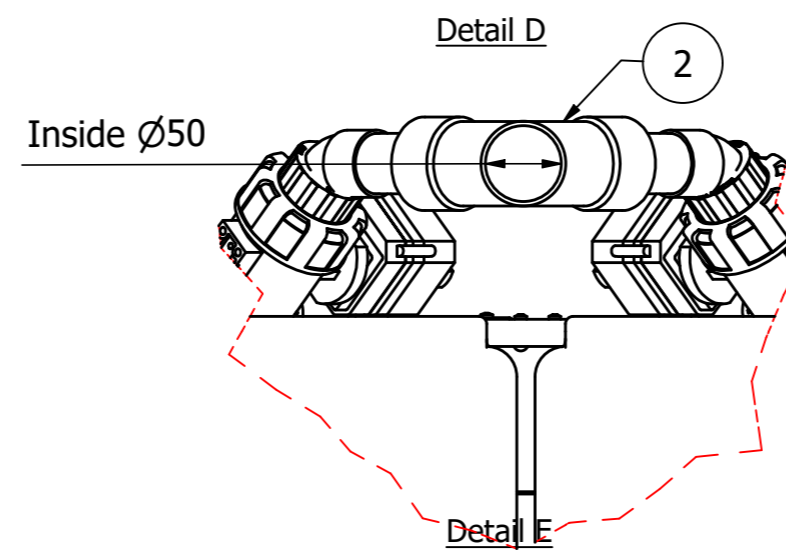
b. Vertical option



View A



View B
(1 : 7.5)



View A
(1 : 7.5)

TABLE		
Sr no	Description	Size
1	Power supply	C14
2	Inlet manifold	
3	Inlet	50 mm dia inside
4	Inlet for citric acid cleaning	31 mm dia inside
5	Waste water outlet	40 mm female
6	Feed to washing machine (WM)	G 1/2" male
7	Feed to washing machine (WM)	G 1/2" male
8	Feed to Garden	G 1/2" male
9	Mains water supply	G 1/2" male

<small>DIMENSIONS ACC. TO EN-ISO 406</small> <small>SHAPE- AND POSITION TOLERANCES ACC. TO EN-ISO 1101</small> <small>GENERAL TOLERANCES ACC. TO See forms tab in iLogic</small>		Description: H600 V2.1 230V STD	Modified by : WB Modified date : 17/12/2024
HYDRALOOP USE WATER TWICE		Scale: 1 : 10 Units: mm Projection:	Sheet: 1 / 1 Material : Drawing NO : HYD0949AD Project : Version 2.1